



Vestil Manufacturing Company

2999 North Wayne Street, P.O. Box 507, Angola, IN 46703

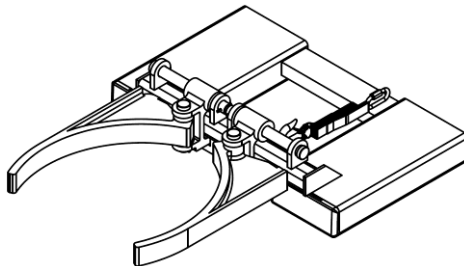
Telephone: (260) 665-7586 -or- Toll Free (800) 348-0868

Fax: (260) 665-1339

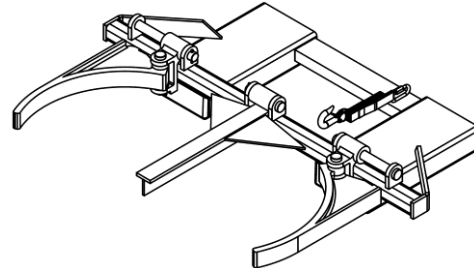
www.vestil.com

info@vestil.com

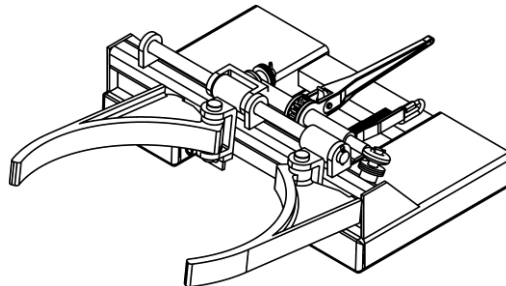
DGS-A, DGD-A, & DGS-AG Fork-Mounted Drum Lifters



DGS-A



DGD-A



DGS-AG

Receiving Instructions

After delivery, remove the packaging from the product. Inspect the product closely to determine whether it sustained damage during transport. If damage is discovered, record a complete description of it on the bill of lading. If the product is undamaged, discard the packaging.

NOTE: The end-user is solely responsible for confirming that product design, use, and maintenance comply with laws, regulations, codes, and mandatory standards applied where the product is used.

Technical Service & Replacement Parts

For answers to questions not addressed in these instructions and to order replacement parts, labels, and accessories, call our Technical Service and Parts Department at (260) 665-7586. The department can also be contacted online at <https://www.vestil.com/page-parts-request.php>.

Electronic copies of Instruction Manuals

Additional copies of this instruction manual may be downloaded from <https://www.vestil.com/page-manuals.php>.

Table of Contents		Page
Signal Words.....		2
Safety Instructions.....		2
DGS-A Exploded View, Bill of Materials, and Specifications.....		3
DGS-AG Exploded View, Bill of Materials, and Specifications.....		4
DGD-A Exploded View, Bill of Materials, and Specifications.....		5
National Standards.....		6
Using the Drum Carrier.....		6-7
Record of Satisfactory Condition.....		7
Inspections & Maintenance.....		7-8
Labeling Diagram.....		9
Limited Warranty.....		10

SIGNAL WORDS

This manual uses SIGNAL WORDS to indicate the likelihood of personal injuries, as well as the probable seriousness of those injuries, if the product is misused in the ways described. Other signal words call attention to uses of the product likely cause property damage. The following are signal words used in this manual and their definitions.

⚠ DANGER	Identifies a hazardous situation which, if not avoided, <u>WILL</u> result in DEATH or SERIOUS INJURY. Use of this signal word is limited to the most extreme situations.
⚠ WARNING	Identifies a hazardous situation which, if not avoided, <u>COULD</u> result in DEATH or SERIOUS INJURY.
⚠ CAUTION	Indicates a hazardous situation which, if not avoided, <u>COULD</u> result in MINOR or MODERATE injury.
NOTICE	Identifies practices likely to result in product/property damage, such as operation that might damage the product.

SAFETY INSTRUCTIONS

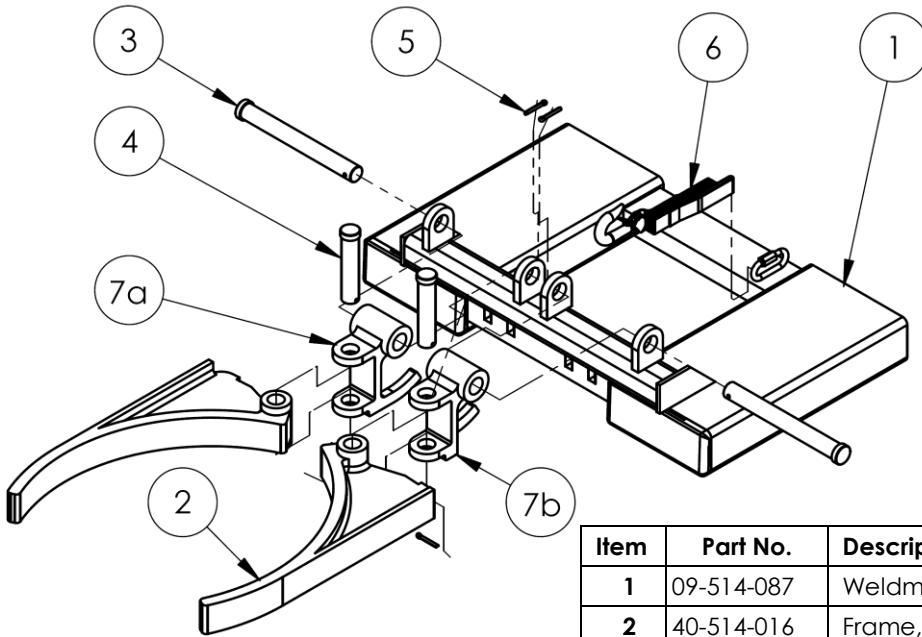
Vestil strives to identify foreseeable hazards associated with the use of its products. Material handling is dangerous and no manual can address every conceivable risk. The end-user must exercise sound judgment at all times. Acquire a copy of the latest version of ANSI B56.1 from www.ITSDF.org. Apply all portions of Part II "For the User" that are relevant to front end attachments. The following recommendations complement the relevant provisions of B56.1.

⚠ WARNING

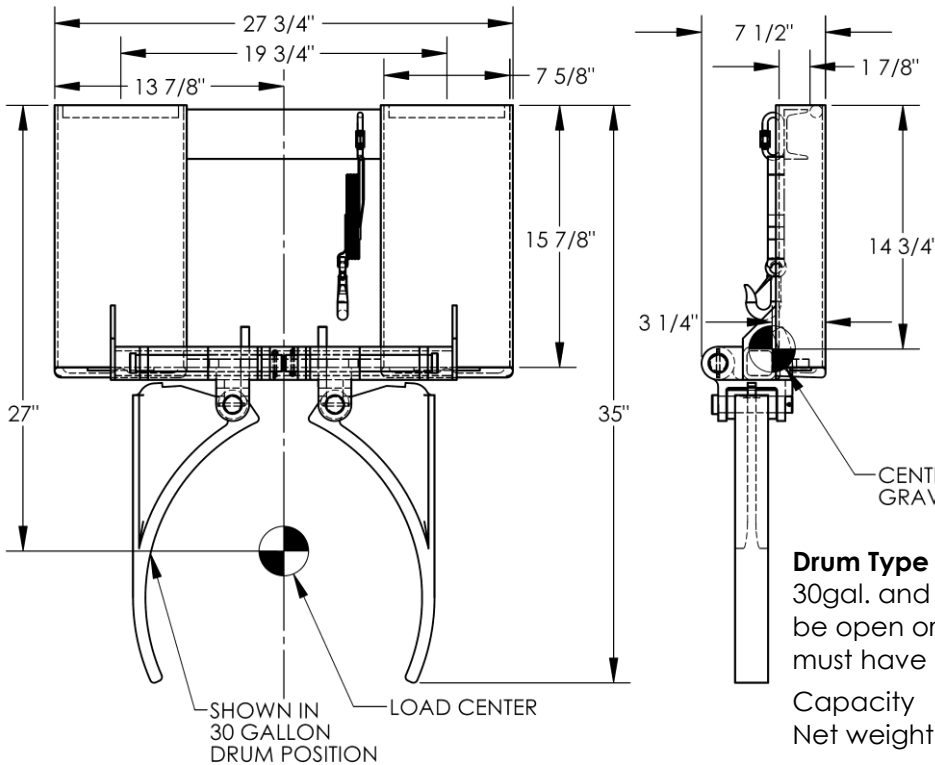
Unsafe use of this product could result in serious personal injury or death.

- *Read and understand the entire manual before assembling, installing, using or servicing the product.* Read the manual to refresh your understanding of proper use and maintenance procedures. Maintenance personnel must read the manual before servicing the drum carrier.
- DO NOT exceed the maximum rated load. See Label 1153 on product; see [LABELING DIAGRAM](#), p. 9.
- DO NOT use this device with rough terrain lift trucks or telehandlers (boom trucks). ONLY use it with high lift fork trucks having a vertical mast and carriage.
- DO NOT mount the hopper on stackers or manually propelled lift trucks.
- DO NOT operate the truck carrying this device on unimproved surfaces. Only operate on concrete or asphalt.
- Mark your forklift truck to identify the drum carrier attachment and show the approximate weight of the truck and attachment combination at maximum elevation with load laterally centered. Capacity, operation, and maintenance instruction plates, tags, or decals must be changed accordingly.
- Inspect the drum carrier as instructed in the [INSPECTIONS & MAINTENANCE](#) section on p. 7-8. DO NOT use the device unless it is in satisfactory condition. If you observe any structural damage (for example, significant damage to either or both fork pockets, the safety chain/strap, or the drum-gripping mechanism), tag the unit "Out of Service" and report the damage to maintenance personnel. DO NOT use the carrier until it is restored to satisfactory condition.
- Inspect the drum before engaging it with the carrier. Make sure that the drum (particularly the rim and rolling hoops) is in good condition. DO NOT attempt to lift or transport a damaged drum with the carrier.
- Stay clear of the drum and carrier while the carrier is in use! No part of your body should ever be beneath any part of the elevated lifter or drum.
- ONLY use this device to move drums and only those drums that are compatible with your product, i.e. steel, plastic, and/or fiber. Compatibility information is provided with the [EXPLODED VIEWS](#) on pages 3-5.
- When transporting a drum, only raise it a few inches above the ground.
- Transport drums slowly. Avoid bumps, potholes, etc. when transporting a drum which could disrupt the carrier's grasp on the rim.
- Avoid sudden stops when transporting drums. Brake gradually. Sudden stops could cause the carrier to slide on the forks and could damage the safety strap, hook, and/or quick link. Turn slowly. Sharp, quick turns could disrupt the clamp on the drum and damage the carrier.
- DO NOT modify the carrier in any way. **Unapproved modifications automatically void the [LIMITED WARRANTY](#) (see p. 10) and might make the product unsafe to use.**
- DO NOT use the lifter UNLESS all labels are in place, readable, and undamaged. See [LABELING DIAGRAM](#) on p. 9.

DGS-A EXPLODED VIEW AND BILL OF MATERIALS (09-006-086)



Item	Part No.	Description	Qty.
1	09-514-087	Weldment, frame	1
2	40-514-016	Frame, casting, arm	2
3	40-112-001	Pin, main, clevis	2
4	15-112-014	Pin, clevis, 1" x 4 1/2"	2
5	65125	Cotter pin, zinc plated, 3/16" x 1 1/2"	4
6	08-145-028	Restraining/safety strap	1
7a	40-012-010	Hinge, casting, arm, right	1
7b	40-012-011	Hinge, casting, arm, left	1



Drum Type Compatibility: Compatible with 30gal. and 50gal. steel drums only. Drums may be open or closed head. Open head drums must have lids properly and securely fastened.

Capacity = 800 lb. (363.6 kg)

Net weight = 107 lb. (48.6 kg)

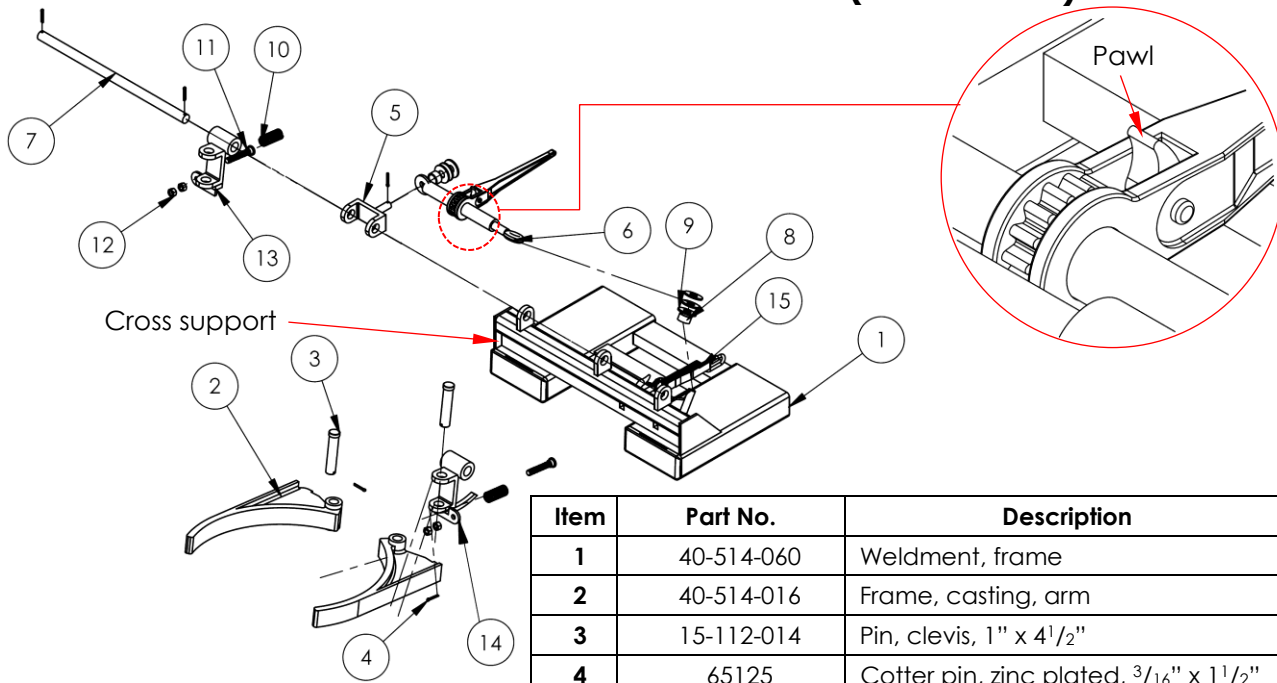
Arms pivot about a horizontal axis to fold onto the frame for storage.

Distance between fork tube centers = 19 3/4"

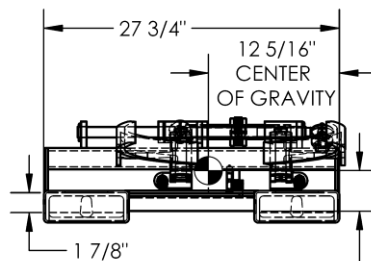
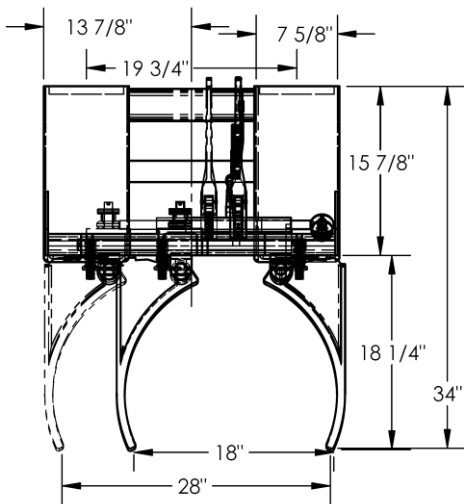
Usable fork tube dimensions = 7 5/8" W x 1 7/8" H

09-007-086

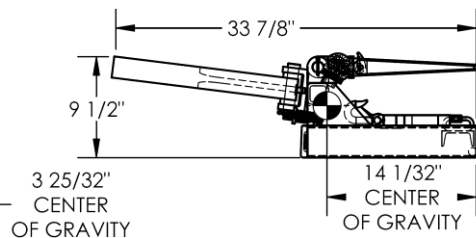
DGS-AG EXPLODED VIEW & BILL OF MATERIALS (40-006-048)



Item	Part No.	Description	Qty.
1	40-514-060	Weldment, frame	1
2	40-514-016	Frame, casting, arm	2
3	15-112-014	Pin, clevis, 1" x 4 1/2"	2
4	65125	Cotter pin, zinc plated, 3/16" x 1 1/2"	6
5	40-514-059	Weldment, gripper bracket	1
6	30-001-213-001	Load binder without hooks	1
7	40-112-013	Pin, gripper guide	1
8	40-113-009	Spacer	2
9	33018	USS flat washer, zinc plated, 3/4"	6
10	40-146-003	Spring, compression	2
11	40-537-007	Weldment, spring stopper	2
12	36109	Hex nut, gr. A, plain finish, 1/2"-13	4
13	40-516-009	Hinge, casting, gripper, left	1
14	40-516-010	Hinge, casting, gripper, right	1
15	08-145-028	Restraining/safety strap	1



40-007-048



Drum Type Compatibility

Compatible with open and closed head drums made of steel and plastic. Open head drums must have lids properly & securely attached.

Manual, ratcheting drum clamp mechanism

Capacity varies with drum material:

Steel = 1,500 lb. (681.8 kg)

Plastic = 1,000 lb. (454.5 kg)

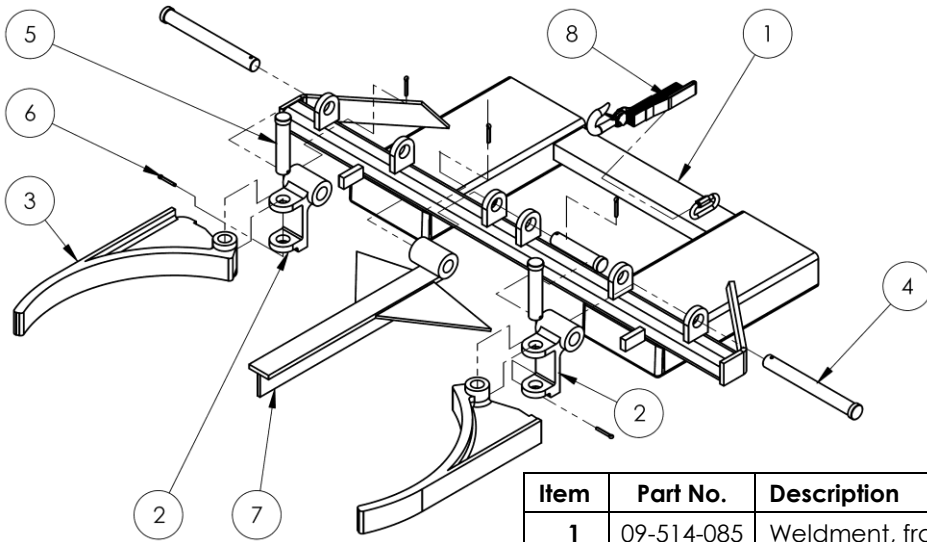
Arm spacing adjustable from 18" to 28"

Arms pivot about a horizontal axis to fold onto the frame for storage

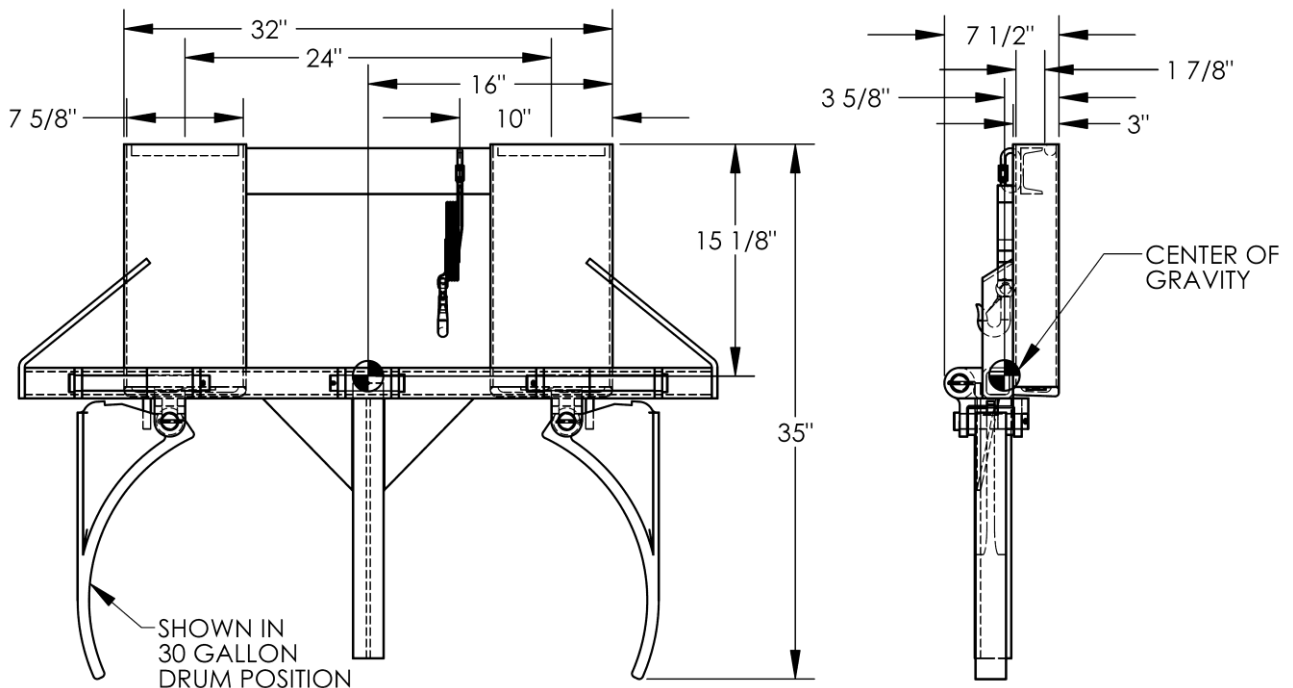
Distance between fork tube centers = 19 3/4"

Usable fork tube dimensions = 7 5/8" W x 1 7/8" H

DGD-A EXPLODED VIEW AND BILL OF MATERIALS (09-006-087)



Item	Part No.	Description	Qty.
1	09-514-085	Weldment, frame, base	1
2	40-012-012	Hinge, casting, arm	2
3	40-514-016	Frame, casting, arm	2
4	40-112-001	Pin, main, clevis	2
5	15-112-014	Pin, clevis, 1" x 4 1/2"	3
6	65125	Cotter pin, zinc plated, 3/16" x 1 1/2"	5
7	09-514-086	Frame, weldment, middle attachment	1
8	08-145-028	Restraining/safety strap	1



Drum Type Compatibility

Compatible with 30gal. and 50gal. steel drums only. Drums may be open or closed head. Open head drums must have lids properly and securely fastened.

Capacity = 1,500 lb. (681.8 kg)

Arms pivot about a horizontal axis to fold onto the frame for storage.

Distance between fork tube centers = 24"

Usable fork tube dimensions = 7 5/8"W x 1 7/8"H

NATIONAL STANDARDS

US OSHA Rule 1910.178 (29 CFR 1910.178; the "Rule") classifies this device as a front end attachment whenever it is mounted on a lift truck. The Rule incorporates American National Standard ANSI/ITSDF B56.1 (the "Standard"). The Standard is published by the Industrial Truck Standards Development Foundation on its website (www.itsdf.org) where it is freely downloadable at <http://www.itsdf.org/cue/b56-standards.html>. Before putting this device into service, acquire a copy of the Standard. Apply all relevant parts of Part II: For the User. If instructions provided in this manual conflict with the Standard, then you should apply the instructions in the Standard. Vestil requests that you immediately report conflicts to its [TECHNICAL SERVICE](#) department. Contact information for the [TECHNICAL SERVICE](#) department appears on the cover page of this manual.

USING THE DRUM CARRIER

Standard DGS and DGD model drum carriers are designed to be used in non-classified, general industry locations. They should not be used to transport hazardous wastes.

The safety strap must be used every time the unit is mounted on a fork truck. Wrap the free end of the strap around the fork carriage and fasten the hook to the strap or carriage **without slack. The strap must be taut.**

Step 1: Adjust the positions of the forks on the carriage of your lift truck to match the fork tubes. Drive the forks into the fork tubes. Mount the drum lifter on the forks of your lift truck by slowly driving forward until the forks contact the ends of the pockets. Wrap the free end of the strap around the fork carriage. Attach the hook either to the strap or to the carriage. There must be no slack in the strap. Slack in the strap could allow the lifter to slide off of the forks if, for instance, you brake suddenly. The strap must not be able to disconnect from the carriage.

Step 2: Open the arms of the carrier.

a) DGS-A & DSD-A: Raise the forks and tilt the mast forward to spread the arms slightly.

b) DGS-AG: Raise the forks. Adjust the mast tilt to make the gripper arms parallel to the floor. The left and right gripper hinges (see items 13 and 14 on [p. 4](#)) must not touch the cross support. Adjust mast tilt, if necessary. Move the ratchet handle back-and-forth a few times. Grasp one of the receivers during the back stroke to allow the handle to ratchet backwards. If the arms are moving closer together, then press down the top of the pawl to reverse directions. Move the handle back-and-forth until the arms are wide apart enough to fit around the drum.



Step 3: Engage the drum.

a) DGS-A & DGD-A: Elevate the forks and adjust position so that the gripper arms are above the drum. Slowly lower the forks to bring the gripper arms over the top of the drum. Continue lowering the forks. The gripper arms will slide down the side of the drum. Position the arms below the first rolling hoop.

b) DGS-AG: Make sure that the arms are far enough apart to fit around the drum. Drive toward the drum with the drum between the arms. Stop when the drum contacts the back of the gripper arms. Adjust the height of the forks to bring the top sides of the arms into contact with the top rolling hoop (of the drum). Park the fork lift. Move the handle back-and-forth to bring the gripper arms into firm contact with the side of the drum. **NOTE: Do not overtighten the arms, particularly when clamping plastic and fiber drums.**

Step 4: Raise the forks.

a) DGS-A & DGD-A: Elevate the drum just a few inches above the ground. Tilt the mast back slightly.

b) DGS-AG: Elevate the forks sufficiently to raise the drum a few inches above the ground.

Step 5: Transport the drum to the necessary location. Turn slowly and brake gradually. Stopping suddenly might cause the carrier to slide on the forks or disrupt the clamp on the drum.

Step 6: Release the drum.

- a) DGS-A & DGD-A: Tilt the mast forward. Slowly lower the forks until the entire bottom drum rim rests on the ground. Carefully back away from the drum until the gripper arms are completely free of the drum.
- b) DGS-AG: Lower the forks until the entire lower drum rim rests on the ground. Reverse the pawl. Move the handle back-and-forth the release the clamp on the drum. Grasp one of the receivers during each backstroke.

RECORD OF SATISFACTORY CONDITION (THE RECORD™)

Before putting the drum carrier into service, record its condition. Thoroughly photograph the unit from multiple angles. Take close-range photographs of the drum grippers, hinges, ratchet mechanisms (DGS-AG only), pins, fork pockets all labels, pivot points, the safety strap/chain and snap hook, quick link, and fork/tine locks (if applicable). Use the carrier to lift a drum. Describe how the drum gripping mechanisms engage the drum. Describe all sounds produced by the lifter under load. Collect the photographs and writings in a file. Mark the file appropriately to identify it. This file is a record of the drum carrier in satisfactory condition (the "Record"). Compare the results of all inspections to this Record to determine whether the unit is in satisfactory condition. Do not use the carrier unless it is in satisfactory condition. Purely cosmetic changes, like damaged paint or powdercoat are not changes from satisfactory condition. However, touchup paint should be applied to all affected areas as soon as the finish is damaged to prevent rust formation and metal erosion.

INSPECTIONS & MAINTENANCE

NOTICE

Proper use, maintenance, and storage are essential for this product to function properly.

- Inspect the unit as instructed.
- Use this front end attachment as recommended in the current revision of ANSI/ITSDF B56.1 and all instructions in this manual.
- Store the unit in a dry location.

Inspection procedures are included in the most current revision of ANSI/ITSDF B56.1. As stated in the [NATIONAL STANDARDS](#) section on p. 6, Vestil recommends that you acquire a copy of the most recent revision of this standard. Apply all use and maintenance/care instructions in the standard. Vestil also recommends that you contact your local occupational health and safety authority to determine if any state or local laws, regulations, codes, ordinances, etc. apply inspection requirements where the carrier is used.

Inspections and all necessary repairs should be performed by qualified persons. Compare the results of each inspection to the [RECORD OF SATISFACTORY CONDITION](#). Do not use the crane unless every part is in satisfactory condition. Purely cosmetic changes, like damaged paint/powdercoat, are not changes from satisfactory condition. However, touchup paint must be applied as soon as damage occurs to prevent rust from forming. Rust could cause the affected part to become unsound, which could make the carrier unsafe to use.

DON'T GUESS! If you have any questions about the condition of your product, contact the [TECHNICAL SERVICE](#) department. The phone number is provided on the cover page of this manual. Never make temporary repairs of damaged or missing parts. Only use manufacturer-approved replacement parts to restore the crane to satisfactory condition.

INSPECTIONS

A. Before each use inspect the following components:

1. Carriage strap/chain and snap hook: Confirm that the latch of the snap hook automatically closes. Examine the strap for cuts, tears, and areas of significant wear. Examine the snap hook (at the free end of the strap). It must not be bent or cracked or twisted.
2. Labels: Labels must be easily readable, undamaged, and be located where indicated in the [LABELING DIAGRAM](#) on p. 9. If a label is damaged, unreadable, or missing, contact the [TECHNICAL SERVICE AND REPLACEMENT PARTS DEPARTMENT](#) to order a replacement.

B. Periodic Inspections: At least once every 2 weeks inspect the carrier to confirm satisfactory condition. Do not return it to service unless it is in satisfactory condition.

1. Fasteners (hardware) and hand chain: Examine all bolts, nuts, washers, pins, the quick link, and snap hooks. Tighten loose fasteners. Replace locking fasteners with new fasteners

2. Fork pockets: Confirm that each pocket is structurally sound. In particular, examine the underside of the each pocket for rust and corrosion.
3. Welds: Make sure that all welds are intact. Check welds & the metal surrounding welds for damage.
4. Gripper arms and hinge castings: Confirm that both arms and hinge castings are not cracked or warped. Hinge castings should rotate smoothly to allow the arms to fold onto the frame for compact storage.
5. Safety strap, quick link, and hook (attached to the free end of the safety chain): confirm that the quick link is undamaged and welded securely to the frame. The hook should not be bent, stretched, cracked, or otherwise damaged. Check the strap for cuts, tears, etc.
6. Pivot points/ hinges: Confirm that gripper arms pivot normally and/or that hinges operate normally. Check pivot points and hinges for significant wear. Lubricate the hinges. Lubrication might have to be applied more frequently under heavy usage conditions.
7. Frame: The structure should be clean, square and rigid, and free of rust and corrosion. Clean the frame. Examine it for severe wear, rust, and other forms of damage.

MAINTENANCE

Step 1: Tag the unit “Out of Service.”

Step 2: Remove any dirt or other matter from all surfaces.

Step 3: Conduct a “Periodic” inspection. If deformity, corrosion, rusting, or excessive wear of structural members is found, permanently remove the unit from service.

Step 4: Perform all necessary adjustments, replacements and/or repairs but DO NOT modify the carrier. DO NOT use the unit if adjustments and/or repairs are incomplete!

An “adjustment” is a simple correction that restores the unit to satisfactory condition, such as tightening loose fasteners, or removing dirt or other debris from the surface. “Repair” refers to removing worn parts and installing manufacturer-approved replacement parts.

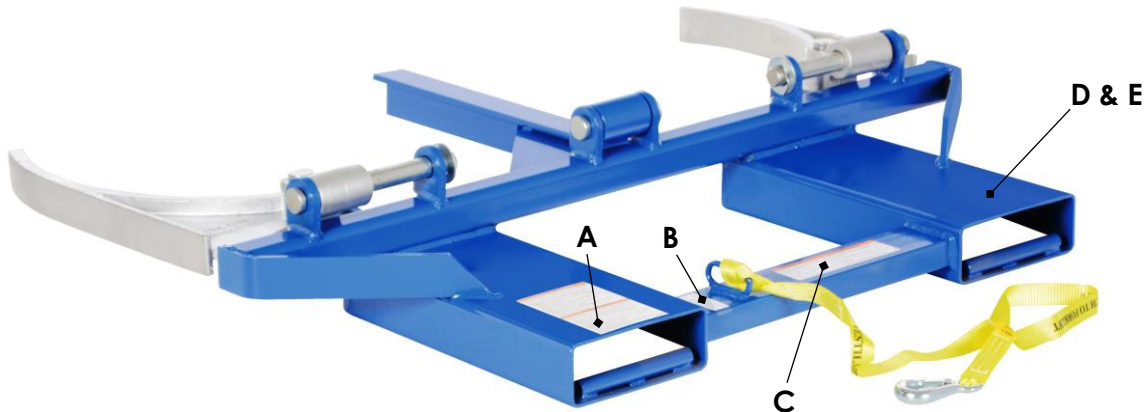
A “modification” is a change that alters the drum carrier from satisfactory condition, like bending the structural members or removing a part or several parts. NEVER modify the unit without the express, written approval of Vestil. Modifications might make the device unsafe to use and *automatically* void the [LIMITED WARRANTY](#).

Step 5: Make a dated record of all repairs, adjustments and/or replacements.

LABELING DIAGRAM

Label content and location are subject to change. Your product might not be labeled exactly as shown. Compare this diagram to your RECORD OF SATISFACTORY CONDITION. Replace all labels that are damaged, missing, or not easily readable (e.g. faded). Order replacement labels by contacting the TECHNICAL SERVICE AND REPLACEMENT PARTS DEPARTMENT online at <https://www.vestil.com/page-parts-request.php>. Alternatively, you may request replacement parts and/or service by calling (260) 665-7586 and asking the operator to connect you to the PARTS DEPARTMENT.

NOTE: Labels and label locations are subject to change without notice.



A: Label 527

⚠ WARNING
<p>Only trained, authorized persons should operate this device. Improper operation might result in death or personal injuries sustained by the truck operator and/or bystanders. Operators must observe the following safety instructions:</p> <ul style="list-style-type: none"> • BEFORE operating, inspect mast, carriage, fork/deck, cable/chain, wheels, and brakes for damage. DO NOT use if damaged. • ALWAYS walk back path before using truck to identify hazards: <ul style="list-style-type: none"> ✓ DO NOT contact electrical lines or overhead objects with device or body; ✓ DO NOT travel up/down inclines if an alternate route is available; ✓ DO NOT travel over debris. • ONLY travel with fork/deck in lowest position appropriate for conditions. • ALWAYS center and evenly distribute loads on fork/deck. • ALWAYS secure load to fork/deck. • ONLY drive or operate truck function from operator position. • DO NOT exceed maximum rated load (capacity). • DO NOT allow people to ride on device. • DO NOT lift loads over people; DO NOT permit people to walk beneath the fork/deck when raised (loaded or unloaded). • DO NOT leave unattended UNTIL fully lowered AND unloaded. • DO NOT modify device in any way.

B: Label 1153 (on fork pocket)

MODEL / MODÉLO / MODÈLE _____
WEIGHT / PESO / MASS _____
CAPACITY / CAPACIDAD / CAPACITÉ _____
SERIAL / SERIE / SÉRIE _____
UNITS: 2.2 lb. = 1kg 1" (or 1in.) = 2.54cm 1153

⚠ ADVERTENCIA
<p>Solo personal capacitado y autorizado debe operar este equipo. La operación inadecuada podría resultar en daños serios al operador del camión y/o a los transeúntes. Los operadores deben observar y seguir las siguientes instrucciones de seguridad:</p> <ul style="list-style-type: none"> • ANTES de usar, inspeccione el mástil, el equipo, las horquillas, la plataforma, cables, cadenas, y frenos por daños. NO use si se observan daños. • SIEMPRE marche el trayecto de vuelta antes de usar el camión para identificar riesgos: <ul style="list-style-type: none"> ✓ NO toque las líneas eléctricas u objetos altos con el dispositivo o la carga; ✓ NO viaje un inclinación de subida y bajada al bajar ruta descendente; ✓ NO viaje sobre escombros. • NO viaje con inclinaciones de subida y bajada al bajar ruta descendente para los conductores. • SIEMPRE opere y dirija la carga únicamente desde las horquillas o plataforma. • SIEMPRE use el freno al bajar las horquillas o plataforma. • SIEMPRE conduzca u opere las funciones del camión desde la posición del operador. • NO exceda la capacidad máxima basada de carga. • NO permita que las personas estén debajo del equipo. • NO eleve las cargas sobre la gente. NO permita que la gente camine debajo de las horquillas o plataforma cuando está elevada (con carga o sin carga). • NO deje el equipo desatendido. HABIA que ser completamente cargado y descargado. • NO modifique el equipo de ninguna manera.
<p>VESTIL MANUFACTURING CORPORATION Phone: (260) 665-7586 • www.vestil.com 2023 • 1153</p>

C: Label 218 (on fork pocket)

⚠ WARNING	⚠ ADVERTENCIAS
<p>Improper use might result in death or serious personal injury. Attach device to fork carriage with safety chain/strap.</p> <ul style="list-style-type: none"> • Drive lift truck forward until forks contact ends of fork pockets • Chain/straps must not be able to disconnect (slide free) from carriage. • Safety chain/strap must be taut. Connect chain/strap to carriage via shortest line. 	<p>El uso impropio puede resultar en muerte o heridas personales. Atar aparato al mástil del montacargas con cadenas/correas.</p> <ul style="list-style-type: none"> • Maneje el montacargas para adelante hasta que las cuñas hagan contacto con la orilla del bolsillo de las cuñas. • La cadenas y correas no deben deslizarse (soltarse) del mástil del montacargas. • La cadena/correa de seguridad debe de estar apretado. Asegure la cadena/correa al mástil via la ruta mas corta.
218 REV 010	

D: Label 1049 (OSHA requirements)
(On fork pocket near chain cup)

⚠ WARNING
<p>Improper use of this fork attachment might result in death or serious injury.</p> <ul style="list-style-type: none"> • Using this front end attachment affects lift truck center of gravity. • Before using this fork attachment, US Federal regulation 29 CFR 1910.178 requires you to contact the manufacturer of your lift truck and request: <ol style="list-style-type: none"> 1. Written approval [29 CFR 1910.178(a)(4)] 2. Markings for (fork) lift truck that: <ul style="list-style-type: none"> - Identify the attachment; - Give approximate weight of truck and attachment at maximum elevation with laterally-centered load. [29 CFR 1910.178(a)(5)]. • DO NOT use UNTIL lift truck is marked with corrected capacity tags. • CAPACITY OF TRUCK & ATTACHMENT COMBINATION MIGHT BE LESS THAN CAPACITY OF ATTACHMENT. CONSULT TRUCK CAPACITY TAG/LABEL.
1049 REV 1120

E: Label 1210 (Do not to use with telehandlers)

⚠ WARNING
<p>Using this front end attachment exposes occupants & bystanders to risks of serious personal injuries or death.</p> <ul style="list-style-type: none"> • DO NOT use this front end attachment with rough terrain lift trucks or telehandlers (boom lifts). ONLY use this attachment with high lift fork trucks utilizing a vertical mast and carriage. • DO NOT operate truck with attachment on unimproved surfaces. ONLY operate the truck with the attachment on concrete or asphalt surfaces capable of supporting the truck and a full capacity load.

LIMITED WARRANTY

Vestil Manufacturing Company ("Vestil") warrants this product to be free of defects in material and workmanship during the warranty period. Our warranty obligation is to provide a replacement for a defective, original part covered by the warranty after we receive a proper request from the Warrantee (you) for warranty service.

Who may request service?

Only a warrantee may request service. You are a warrantee if you purchased the product from Vestil or from an authorized distributor AND Vestil has been fully paid.

Definition of "original part"?

An original part is a part used to make the product as shipped to the Warrantee.

What is a "proper request"?

A request for warranty service is proper if Vestil receives: 1) a photocopy of the Customer Invoice that displays the shipping date; AND 2) a written request for warranty service including your name and phone number. Send requests by one of the following methods:

US Mail
Vestil Manufacturing Company
2999 North Wayne Street, PO Box 507
Angola, IN 46703

Fax
(260) 665-1339
Phone
(260) 665-7586

Email
info@vestil.com
Enter "Warranty service request"
in the subject field.

In the written request, list the parts believed to be defective and include the address where replacements should be delivered. After Vestil receives your request for warranty service, an authorized representative will contact you to determine whether your claim is covered by the warranty. Before providing warranty service, Vestil will require you to send the entire product, or just the defective part (or parts), to its facility in Angola, IN.

What is covered under the warranty?

The warranty covers defects in the following original, dynamic parts: motors, hydraulic pumps, motor controllers, and cylinders. It also covers defects in original parts that wear under normal usage conditions ("wearing parts"), such as bearings, hoses, wheels, seals, brushes, and batteries.

How long is the warranty period?

The warranty period for original dynamic components is 90 days. For wearing parts, the warranty period is 90 days. Both warranty periods begin on the date Vestil ships the product to the Warrantee. If the product was purchased from an authorized distributor, the periods begin when the distributor ships the product. Vestil may, at its sole discretion, extend a warranty period for products shipped from authorized distributors by up to 30 days to account for shipping time.

If a defective part is covered by the warranty, what will Vestil do to correct the problem?

Vestil will provide an appropriate replacement for any covered part. An authorized representative of Vestil will contact you to discuss your claim.

What is not covered by the warranty?

The Warrantee (you) is responsible for paying labor costs and freight costs to return the product to Vestil for warranty service.

Events that automatically void this Limited Warranty.

- Misuse;
- Negligent assembly, installation, operation or repair;
- Installation/use in corrosive environments;
- Inadequate or improper maintenance;
- Damage sustained during shipping;
- Collisions or other accidents that damage the product;
- Unauthorized modifications: Do not modify the product IN ANY WAY without first receiving written authorization from Vestil.

Do any other warranties apply to the product?

Vestil Manufacturing Co. makes no other express warranties. All implied warranties are disclaimed to the extent allowed by law. Any implied warranty not disclaimed is limited in scope to the terms of this Limited Warranty. Vestil makes no warranty or representation that this product complies with any state or local design, performance, or safety code or standard. Noncompliance with any such code or standard is not a defect in material or workmanship.

